

RFD RFLD

Imperial Female Rod End Bearings,
Self lubricating

Rod End housing

Corrosion resistant steel
AMS 5643. Rc 36 to 42

Outer race

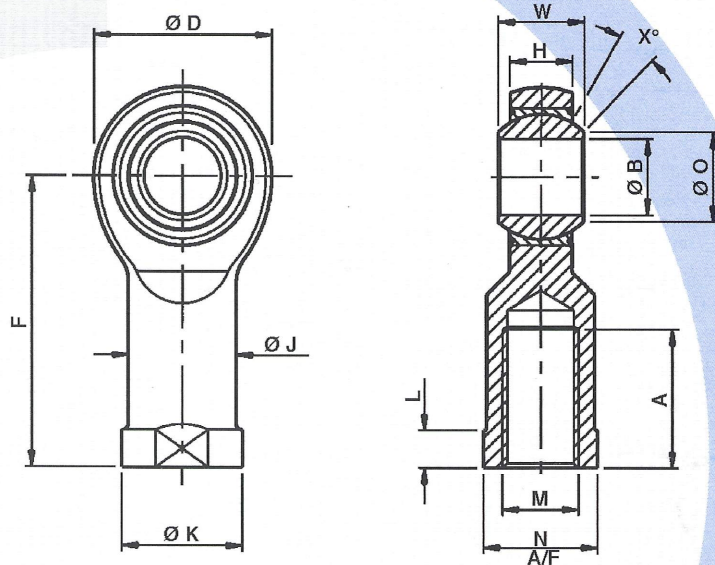
Corrosion resistant steel
AMS 5643. H1150

Ball

Corrosion resistant steel
AMS 5630. Rc 55 to 62

Liner

Rose 'D' type enriched
long life liner qualified
to Mil-B-81820



RFD Right hand thread

RFLD Left hand thread

For tight fit add suffix 'TF' to part no. Eg. RFD06TF

Rose part no	B	W	H	O	D	F	L	A	K	N	J	M	X	Max static radial load	Weight
	Bore dia	Ball width	Head width	Ball face dia	Head dia	Centre length		Thread length		A/F	Shank dia	Thread size	Angle	lbf	lb
RFD RFLD	+0.0000 -0.0005	+0.000 -0.005	+0.005 -0.005	Min	+0.010 -0.010	+0.010 -0.010	+0.010 -0.062	+0.062 -0.031	+0.010 -0.010	+0.002 -0.010	+0.010 -0.010	UNF-3B	deg	lbf	lb
03	.1900	.437	.337	.300	.806	1.375	.188	.750	.500	.437	.422	.3125 - 24	15	7090	.080
04	.2500	.437	.337	.300	.806	1.469	.188	.750	.500	.437	.422	.3125 - 24	15	7090	.084
05	.3125	.437	.327	.401	.900	1.625	.250	.875	.580	.500	.485	.3750 - 24	14	8526	.102
06	.3750	.500	.416	.471	1.025	1.812	.250	1.000	.660	.562	.547	.3750 - 24	8	10367	.161
07	.4375	.562	.452	.542	1.150	2.000	.250	1.125	.720	.625	.610	.4375 - 20	10	13224	.212
08	.5000	.625	.515	.612	1.227	2.250	.250	1.250	.800	.750	.735	5000 - 20	9	21706	.325
10	.6250	.750	.577	.752	1.525	2.500	.375	1.375	1.020	.875	.860	6250 - 18	12	24099	.481
12	.7500	.875	.640	.893	1.775	2.875	.375	1.625	1.160	1.000	.985	7500 - 16	13	32335	.673
14	.8750	.875	.765	1.000	2.025	3.375	.500	1.875	1.300	1.250	1.110	8750 - 14	6	37598	.959
16	1.0000	1.375	1.015	1.270	2.775	4.125	.563	2.125	2.020	1.750	1.688	1.0000 - 12	12	84520	2.717

Dimensions in inches

No load rotational breakout torque			
Bore size	Normal fit lbf.in	Bore size	Tight fit lbf.in
03 & 04	.25 to 5.0	03 & 04	3.0 to 8.0
05 to 12	.25 to 8.0	05 & 06	3.0 to 10.0
14 & 16	.25 to 12.0	07 to 12	4.0 to 10.0
		14 & 16	4.0 to 12.0

For other sizes and options please contact Rose Bearings.

Max. static loads quoted are subject to suitable shaft and mating thread materials.

Please consult Rose Bearings for availability of bearings in this series.

Rose Bearings operates a policy of continual improvement, and therefore reserves the right to revise specifications without notice.

Rose Bearings Ltd - Doddington Road, Lincoln LN6 3RA UK TEL: 01522 500933 FAX: 01522 696485